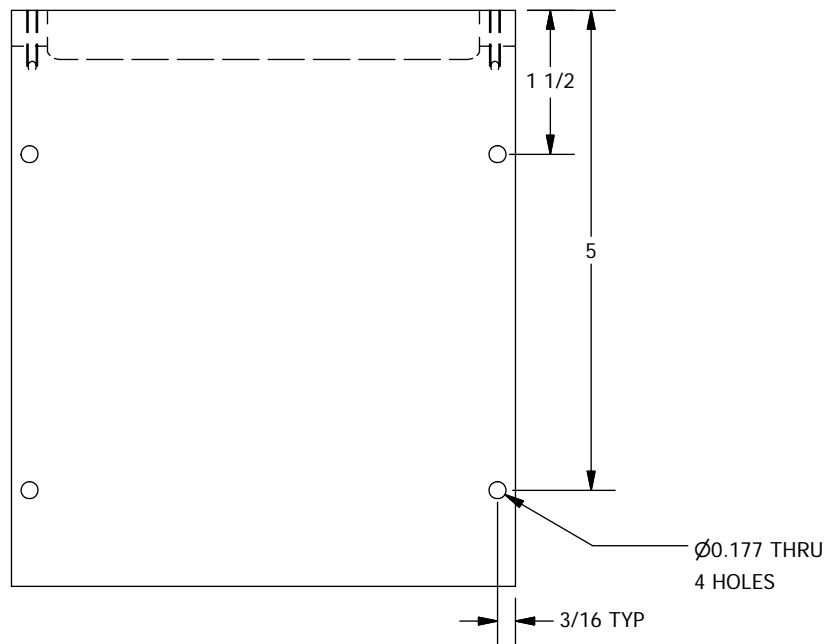


**NOTES**

1. Make from 6x6x3/8 structural aluminum (available in stock room)



1	1	PFS13012
ITEM	QTY	DESCRIPTION
Bill of Material		
<b>THE OBSERVATORIES OF THE CARNEGIE INSTITUTION OF WASHINGTON</b> 813 Santa Barbara Street Pasadena, CA 91101		
MATERIAL	UNLESS OTHERWISE SPECIFIED FRACTIONAL DECIMAL ANGULAR +/- 1/32 .XX +/- 0.01 +/- 0.1 DEG	
EST WEIGHT	.XXX +/- 0.002 GOAL .XXX +/- 0.005 REQD BREAK SHARP EDGES MACHINED SURFACES 125 ✓ ALL DIMENSIONS IN INCHES	
SCALE	1:2	<b>P lanet F nder S pectrograph</b>
DWN	CRANE	6/5/2009
APVD		
BY	DATE	
SHEET	DRAWING NUMBER	SHT 1 OF 1
A	PFS13012	REV

2

1

2

1