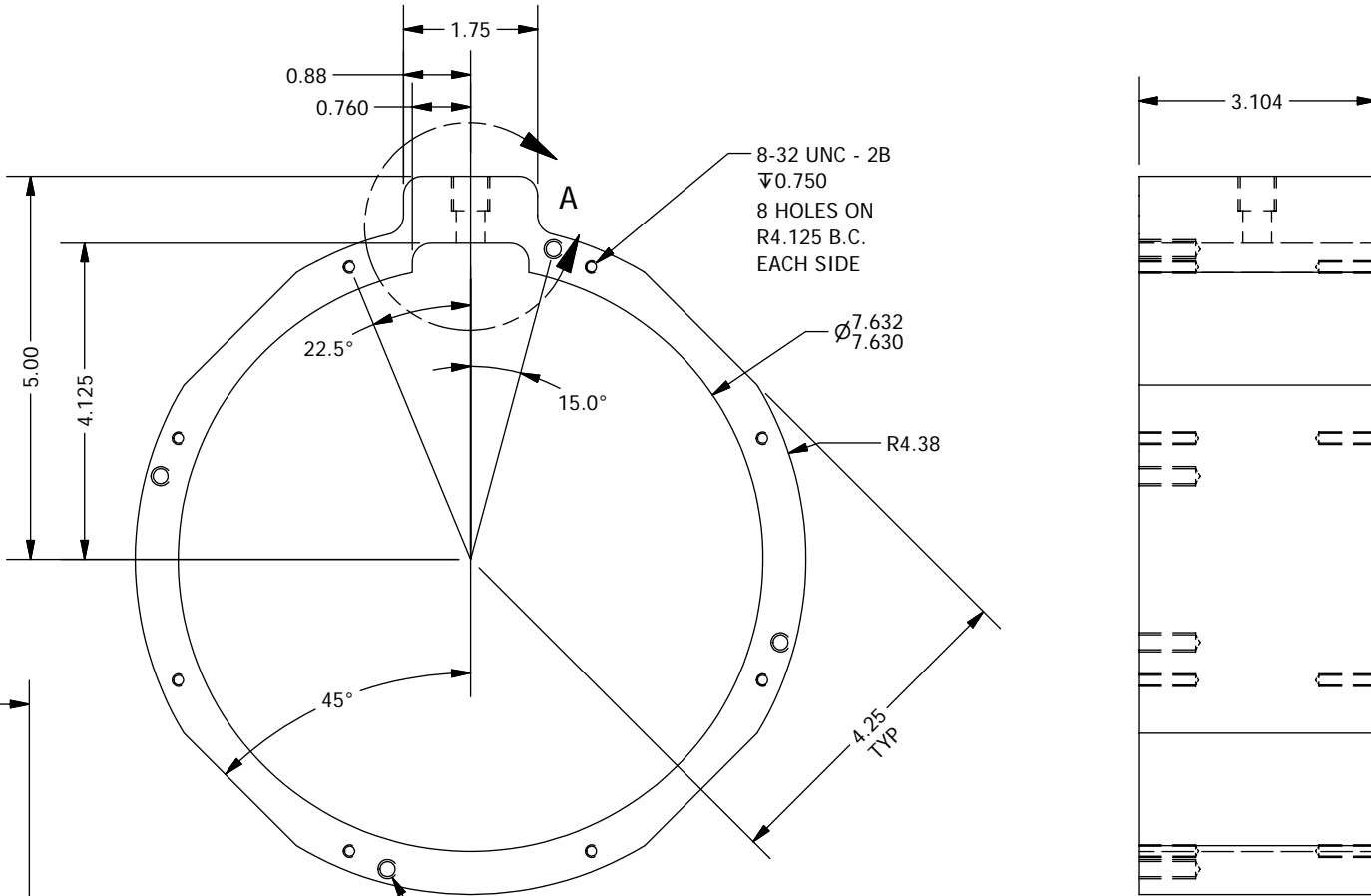


2

1

B

B



1/2-20 UNF - 2B
MAXIMUM THREAD DEPTH
USE BOTTOM TAP

R0.25
TYP

0.451

Ø0.375

1/4-20 UNC - 2B
∇0.750
4 HOLES ON
R4.188 B.C.

8-32 UNC - 2B
∇0.750
8 HOLES ON
R4.125 B.C.
EACH SIDE

∅7.632
7.630

R4.38

4.25
TYP

NOTES

- 1. Anodize black after test fitting

DETAIL A
SCALE 1 : 1

THE OBSERVATORIES
OF THE CARNEGIE INSTITUTION OF WASHINGTON
813 Santa Barbara Street
Pasadena, CA 91101

MATERIAL		UNLESS OTHERWISE SPECIFIED		
Aluminum-6061		FRACTIONAL	DECIMAL	ANGULAR
		+/- 1/32	.XX +/- 0.01	+/- 0.1 DEG
EST WEIGHT		.XXX +/- 0.002 GOAL		
4.4 lb		.XXX +/- 0.005 REQD		
SCALE		BREAK SHARP EDGES MACHINED SURFACES 125 ✓		
4:10		ALL DIMENSIONS IN INCHES		
		P lanet F nder S pectrograph		PFSG Inner Lens Support Tube
DWN	CRANE	4/25/2006		
APVD				
BY		DATE		
SHEET	DRAWING NUMBER		SHT 1	REV
A	PFS09010		OF 1	1

1	1	PFS09010
ITEM	QTY	DESCRIPTION
Bill of Material		

2

1

A

A